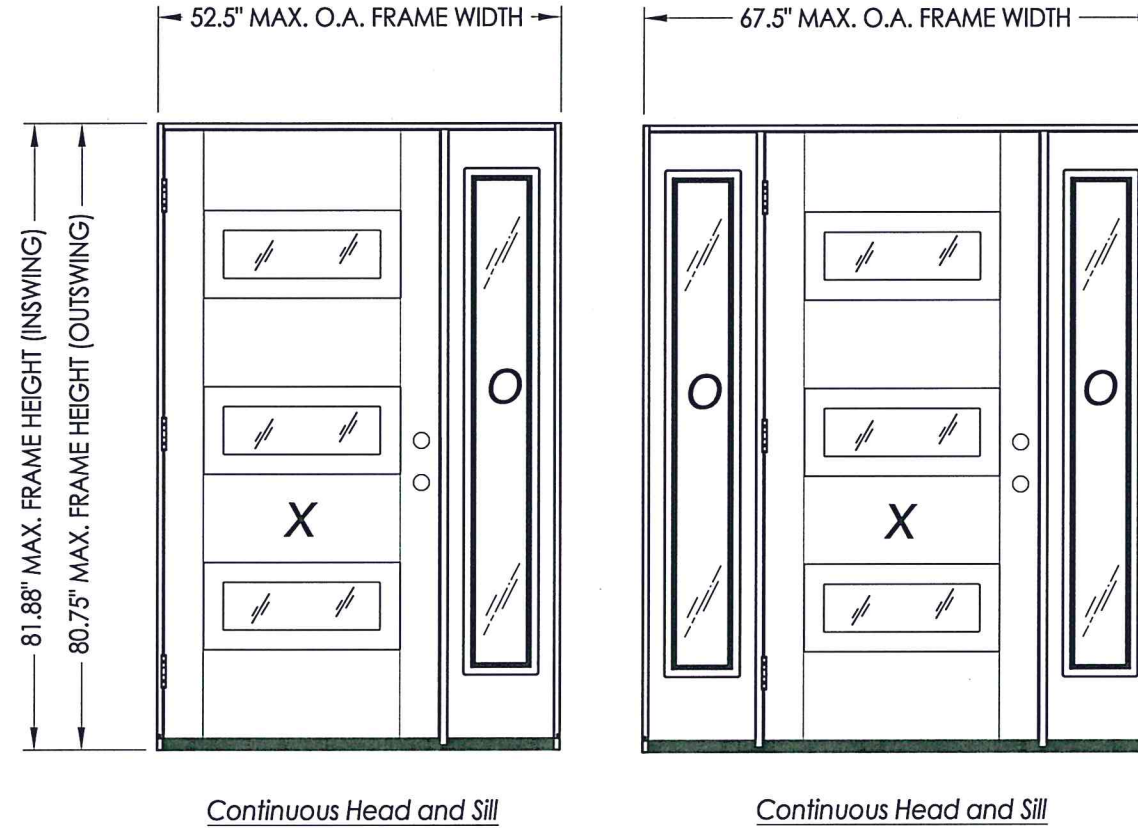


# "Modern" GLAZED FIBERGLASS DOOR w/ SIDELITE(S) "NON-IMPACT" IN SWING / OUT SWING

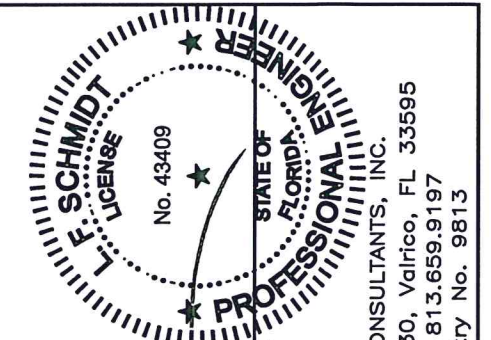
**GENERAL NOTES**

1. This product has been evaluated and is in compliance with the 7th Edition (2020) Florida Building Code (FBC) structural requirements excluding the "High Velocity Hurricane Zone" (HVHZ).
2. Product anchors shall be as listed and spaced as shown on details. Anchor embedment to base material shall be beyond wall dressing or stucco.
3. When used in areas requiring wind borne debris protection, this product is required to be protected with an impact resistant covering that complies with FBC Sections 1609.1.2 & R301.2.1.2.
4. For 2x stud framing construction, anchoring of these units shall be the same as that shown for 2x buck masonry construction.
5. Site conditions that deviate from the details of this drawing require further engineering analysis by a licensed engineer or registered architect.

TABLE OF CONTENTS	
SHEET#	DESCRIPTION
1	Typical elevations, design pressures & general notes
2	Door panel details
3	Sidelite panel details
4	Elevations
5	Horizontal and vertical cross sections (2x buck)
6	Horizontal and vertical cross sections (1x buck)
7	Horizontal and vertical cross sections (Direct to Masonry)
8	Horizontal cross sections
9	Vertical cross sections
10	Buck anchoring
11	Frame anchoring
12	Components
13	Bill of materials



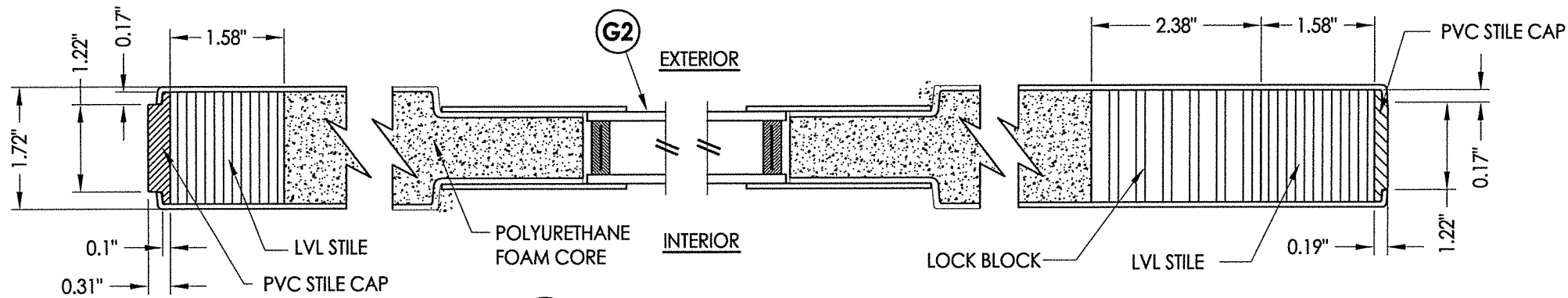
CONFIGURATION	MAX. FRAME DIMENSION	DESIGN PRESSURE (PSF) INSWING		DESIGN PRESSURE (PSF) OUTSWING	
		POSITIVE	NEGATIVE	POSITIVE	NEGATIVE
OX/XO	52.5" x 81.88"	+55.0	-60.0	+55.0	-55.0
OXO	67.5" x 81.88"	+55.0	-60.0	+55.0	-55.0



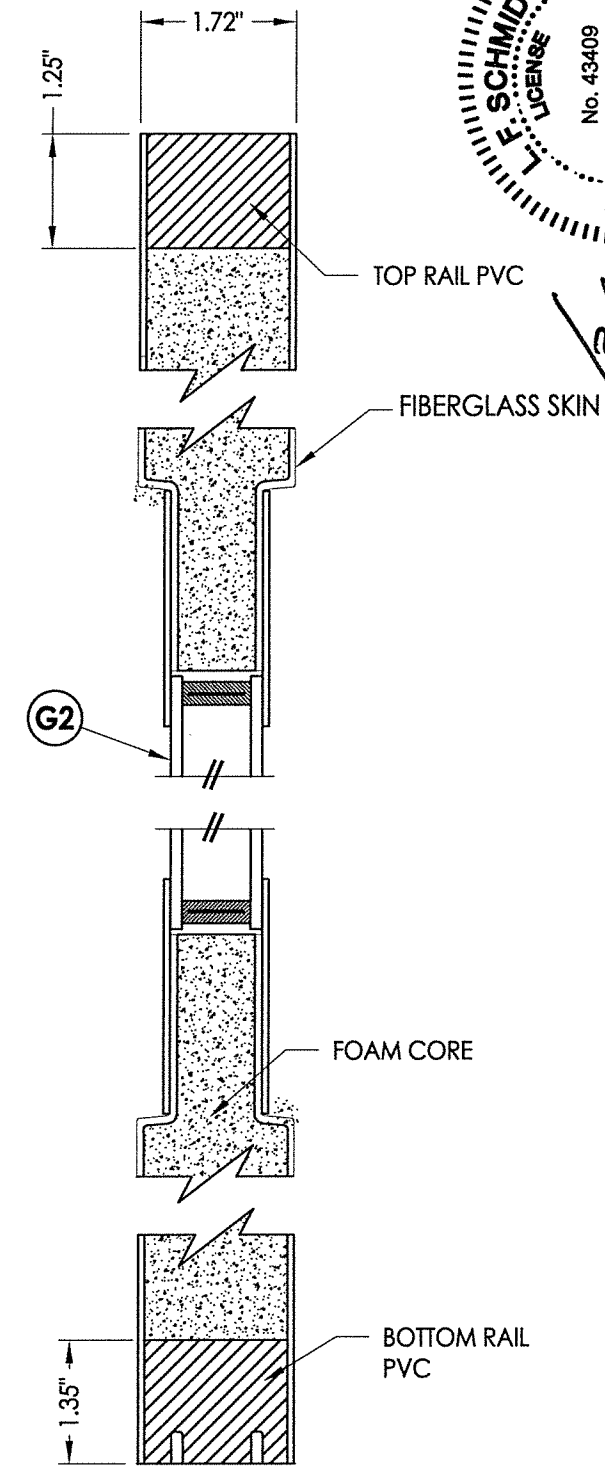
April 26, 2021  
Documents Prepared By:  
Lyndon F. Schmidt  
P.E. No. 43409  
*RW*  
BUILDING CONSULTANTS, INC.  
P.O. Box 230, Valrico, FL 33595  
Phone No.: 813.659.9197  
FBPE Registry No. 9813

PRODUCT:	TRINITY GLASS INT'L
PART OR ASSEMBLY:	TYPICAL ELEVATION, DESIGN PRESSURES & GENERAL NOTES
DATE:	2/05/20
SCALE:	N.T.S.
DWG. BY:	RW
CHK. BY:	LFS
DRAWING NO.:	FL-25575.8
SHEET	1 OF 13

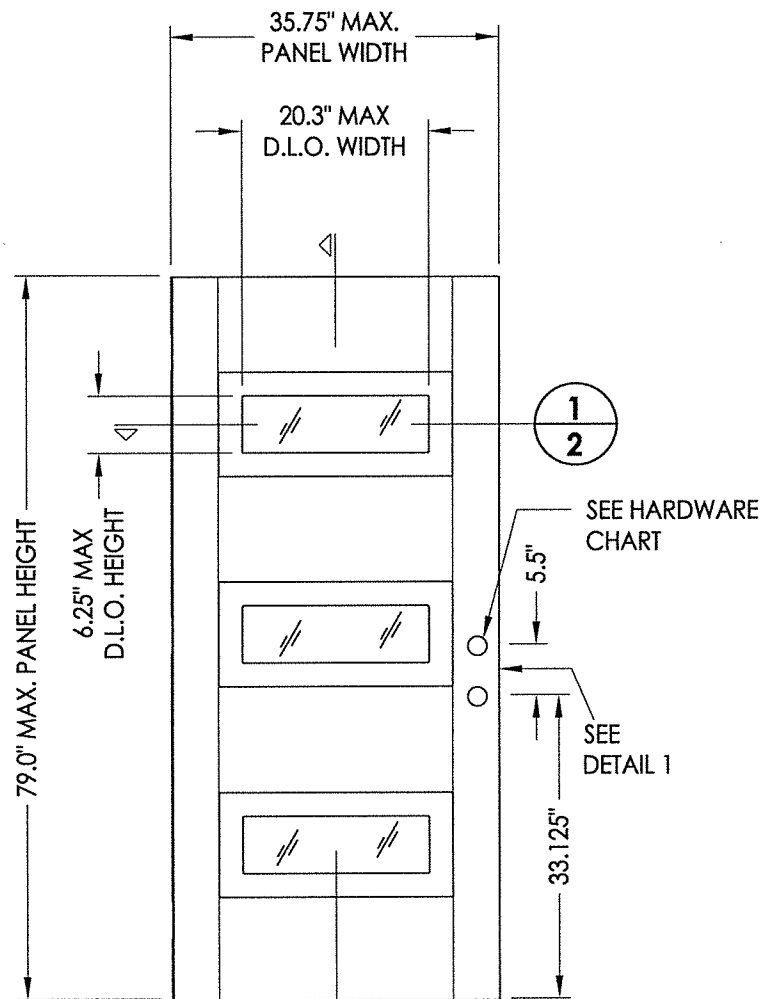
Z:\Clients\Trinity Glass PERMANENT\A - Florida Product Approvals\FL - 25575\C. Drawings\FL 25575 (2020)\FL-25575.7-8.dwg



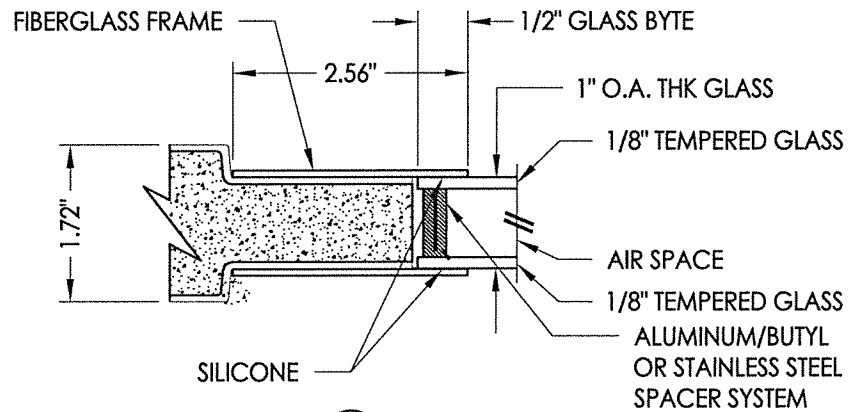
**1**  
**2** HORIZONTAL CROSS SECTION



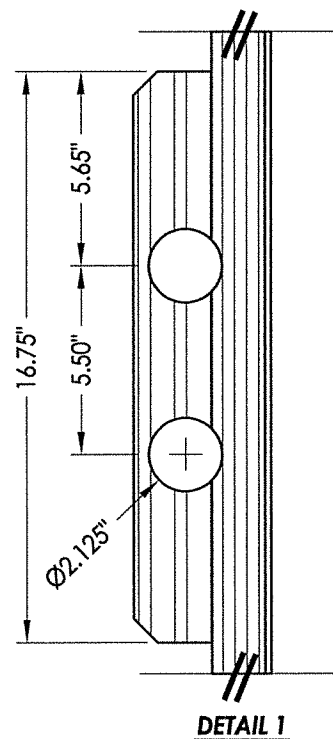
**2**  
**2** VERTICAL CROSS SECTION



**2**  
**2** GLAZED DOOR  
Modern



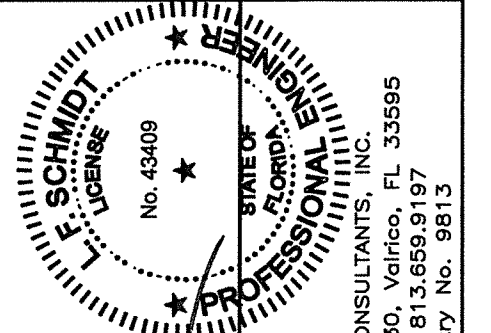
**G2** GLAZING DETAIL



DETAIL 1

HARDWARE CHART	
MANUFACTURER	MODEL
KWIKSET	KNOB: SIGNATURE SERIES
	DEADBOLT: SIGNATURE SERIES (980)
SCHLAGE	KNOB: F SERIES
	DEADBOLT: B60 SERIES

DOOR SKIN: 0.079" MIN. THK. FIBERGLASS  
CORE MATERIAL: POLYURETHANE FOAM

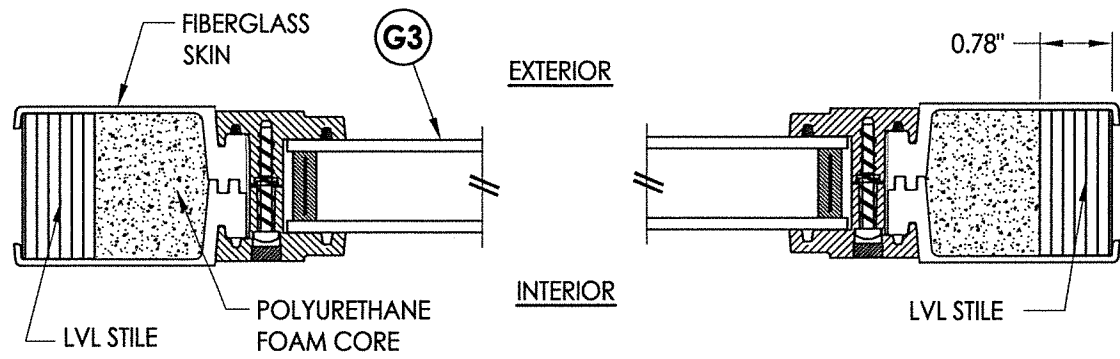


April 26, 2021  
Documents Prepared By:  
Lyndon F. Schmidt  
P.E. No. 43409  
R.W.  
BUILDING CONSULTANTS, INC.  
P.O. Box 230, Valrico, FL 33595  
Phone No.: 813.659.9197  
FBPE Registry No. 9813

PRODUCT:	TRINITY GLASS INT'L	
PART OR ASSEMBLY:	DOOR PANEL DETAILS	
NO.	DATE	BY
1	8/11/20	DAC
	UPDATE TO 7th ED. (2020)	FBC
REVISIONS		

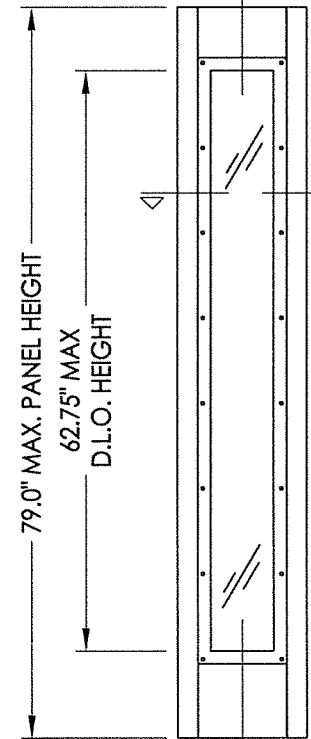
DATE:	2/05/20
SCALE:	N.T.S.
DWG. BY:	RW
CHK. BY:	LFS
DRAWING NO.:	FL-25575.8
SHEET	2 OF 13

Z:\Clients\Trinity Glass PERMANENTVA - Florida Product Approvals\FL - 25575\C - Drawings\FL 25575 (2020)\FL-25575.7-8.dwg

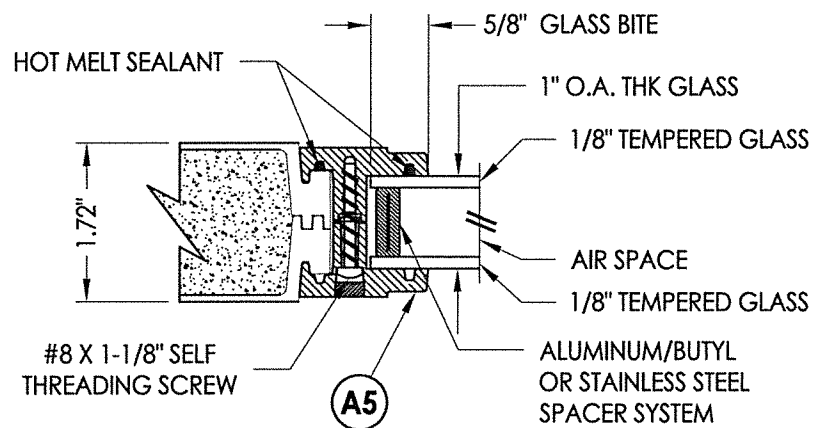


**1**  
**3** **HORIZONTAL CROSS SECTION**

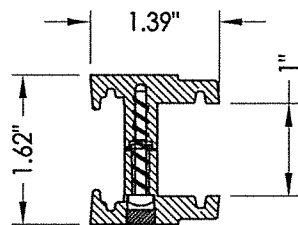
13.86" MAX.  
PANEL WIDTH  
6.7" MAX  
D.L.O. WIDTH



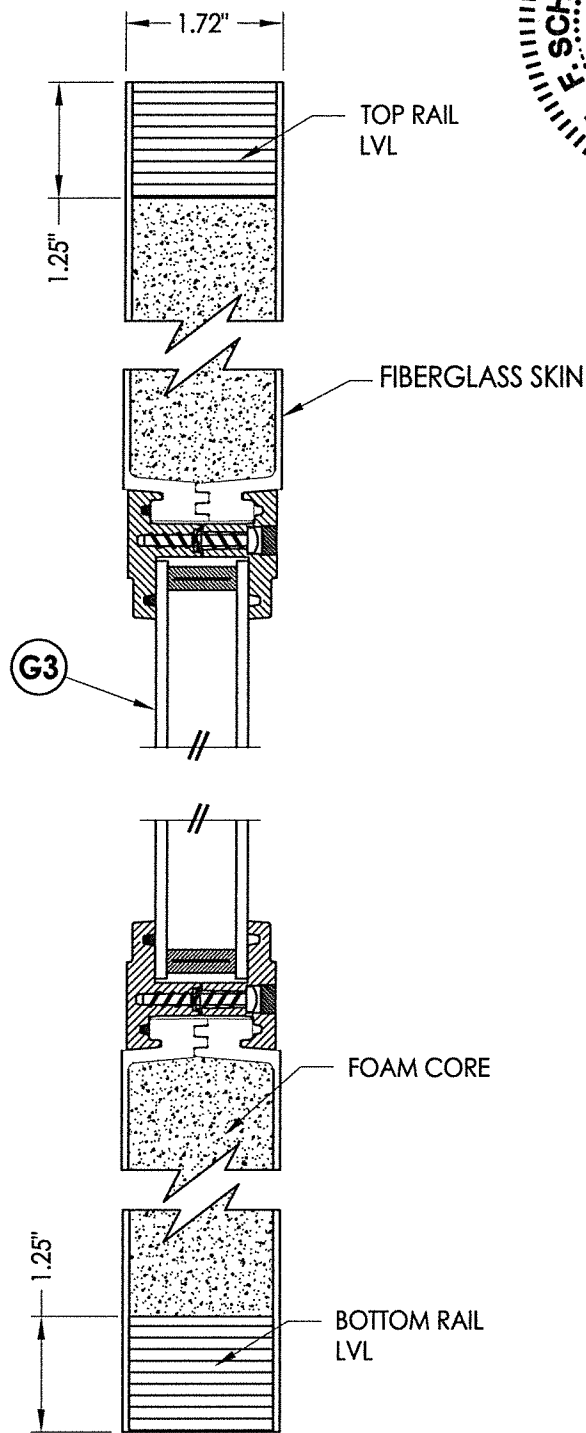
**2**  
**3**  
**70** **SIDE LITE PANEL**



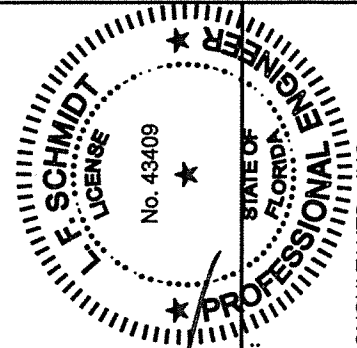
**G3** **GLAZING DETAIL**



**A5** **FRAME**  
ABS



**2**  
**3** **VERTICAL CROSS SECTION**



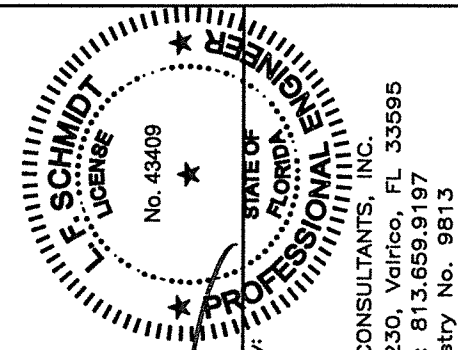
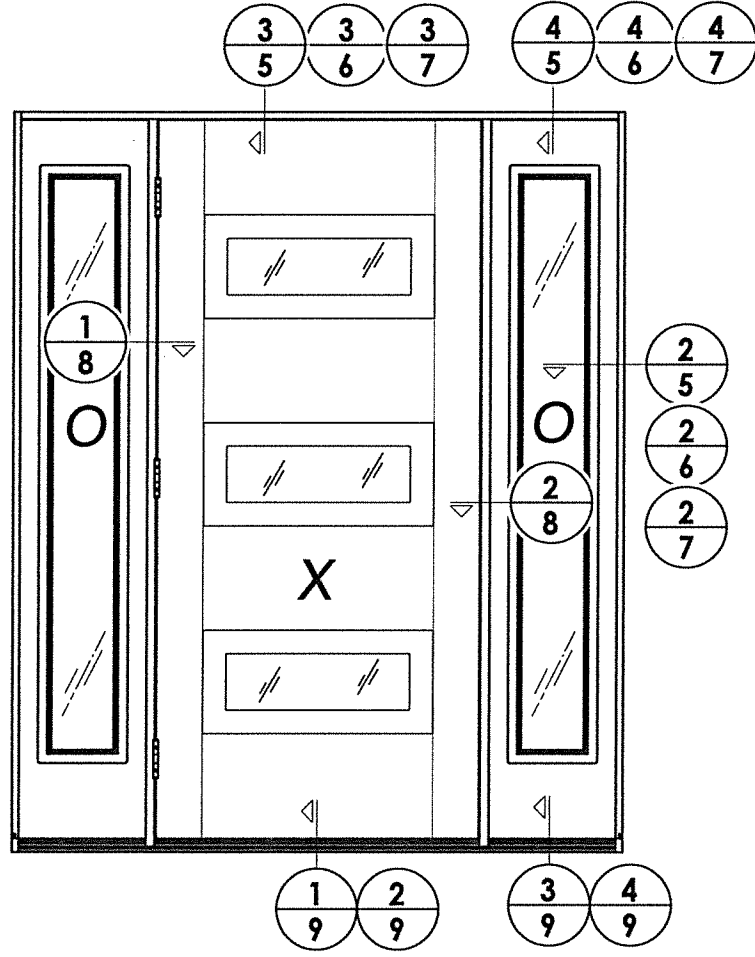
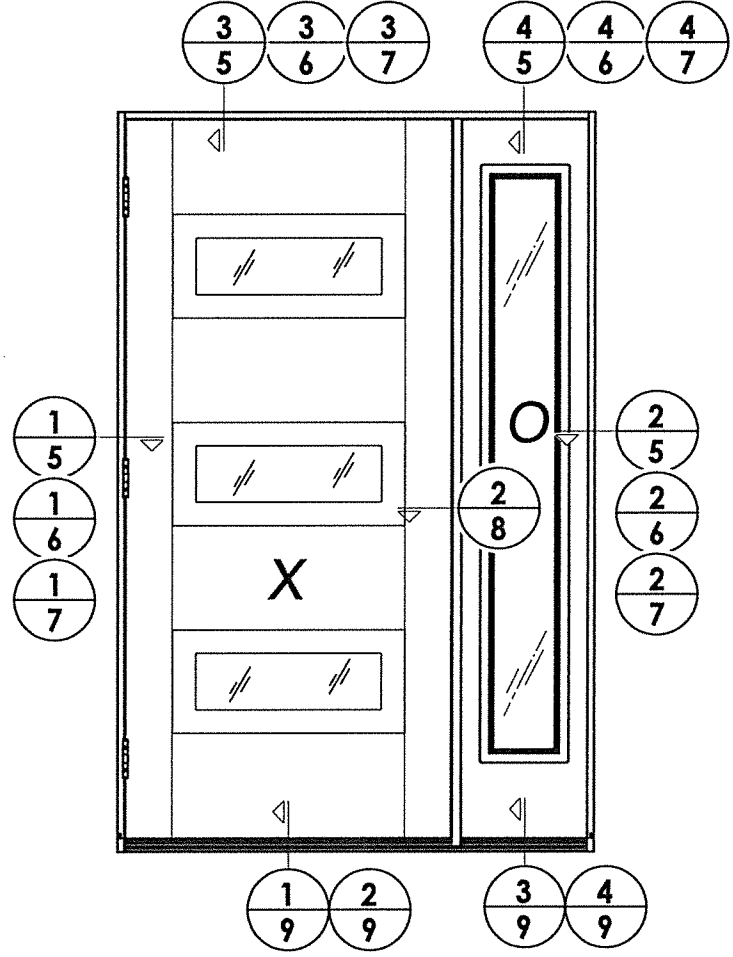
April 26, 2021  
Documents Prepared By:  
Lyndon F. Schmidt  
P.E. No. 43409

**RW**  
BUILDING CONSULTANTS, INC.  
P.O. Box 230, Valrico, FL 33595  
Phone No.: 813.659.9197  
FBPE Registry No. 9813

PRODUCT:	TRINITY GLASS INT'L	
PART OR ASSEMBLY:	SIDELITE PANEL DETAILS	
NO.	DATE	BY
1	8/11/20	DAC
	UPDATE TO 7th ED. (2020)	FBC
		REVISIONS

DATE:	2/05/20
SCALE:	N.T.S.
DWG. BY:	RW
CHK. BY:	LFS
DRAWING NO.:	FL-25575.8
SHEET	3 OF 13

DOOR SKIN: 0.079" MIN. THK. FIBERGLASS  
CORE MATERIAL: POLYURETHANE FOAM



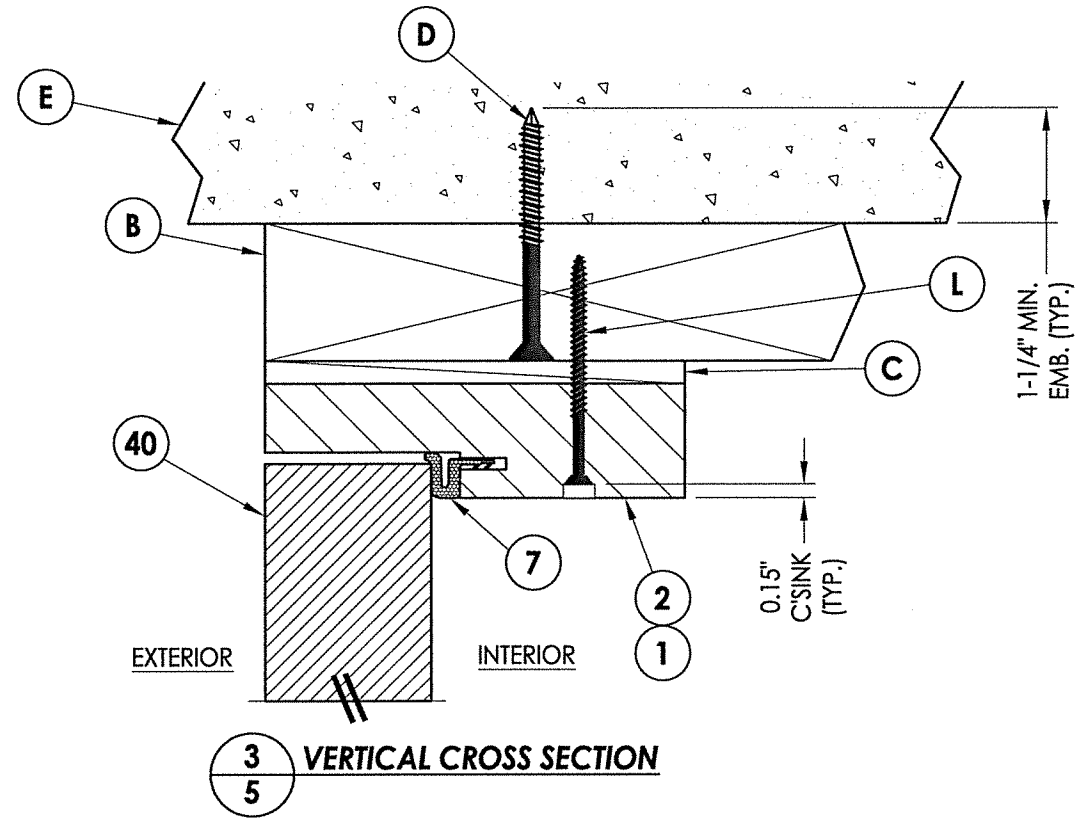
*LFS*  
 April 26, 2021  
 Documents Prepared By:  
 Lyndon F. Schmidt  
 P.E. No. 43409

*RW*  
 BUILDING CONSULTANTS, INC.  
 P.O. Box 230, Valrico, FL 33595  
 Phone No.: 813.659.9197  
 FBPE Registry No. 9813

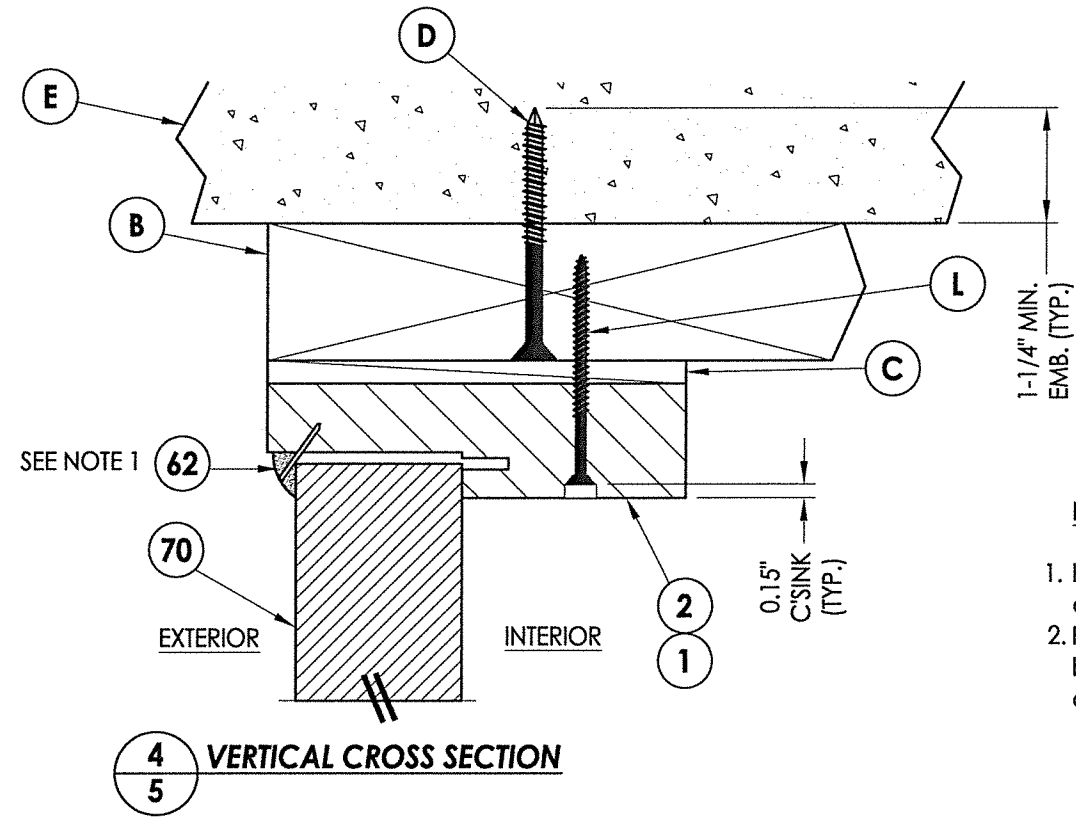
PRODUCT: TRINITY GLASS INT'L  
 PART OR ASSEMBLY: ELEVATIONS

NO.	DATE	REVISIONS
1	8/11/20	UPDATE TO 7th ED. (2020) FBC

DATE: 2/05/20  
 SCALE: N.T.S.  
 DWG. BY: RW  
 CHK. BY: LFS  
 DRAWING NO.: FL-25575.8  
 SHEET 4 OF 13



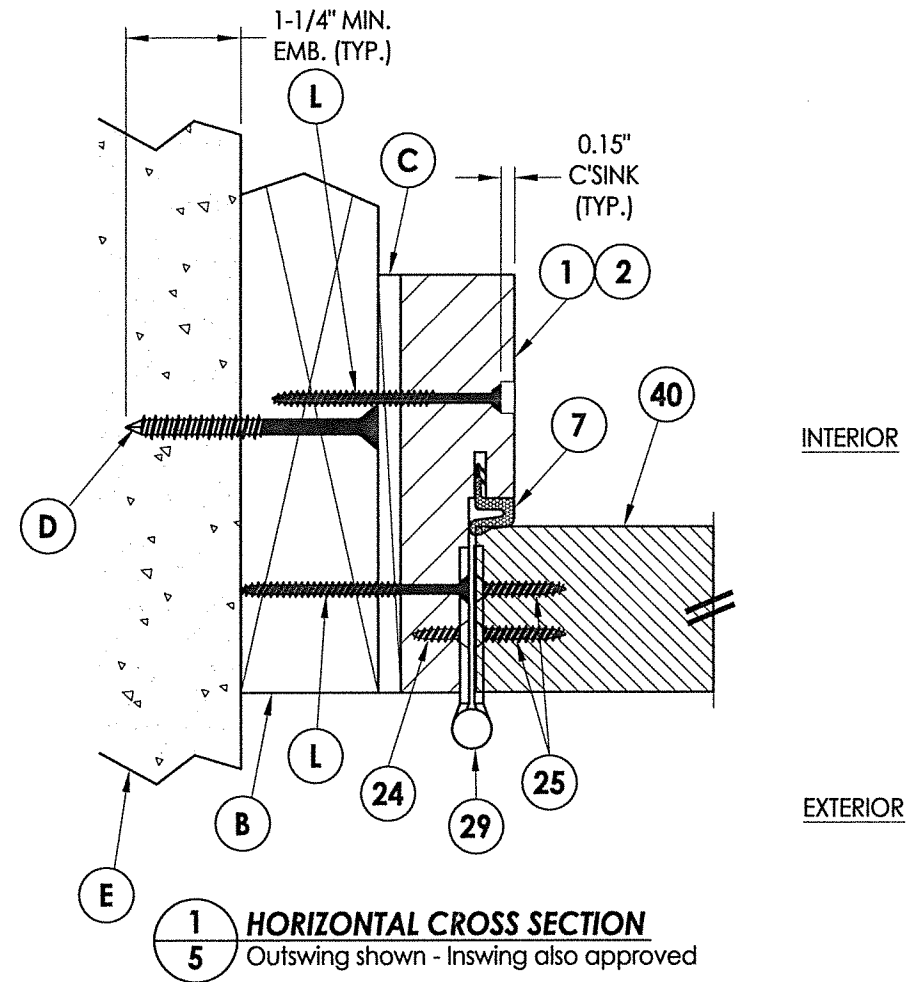
**3**  
**5** VERTICAL CROSS SECTION



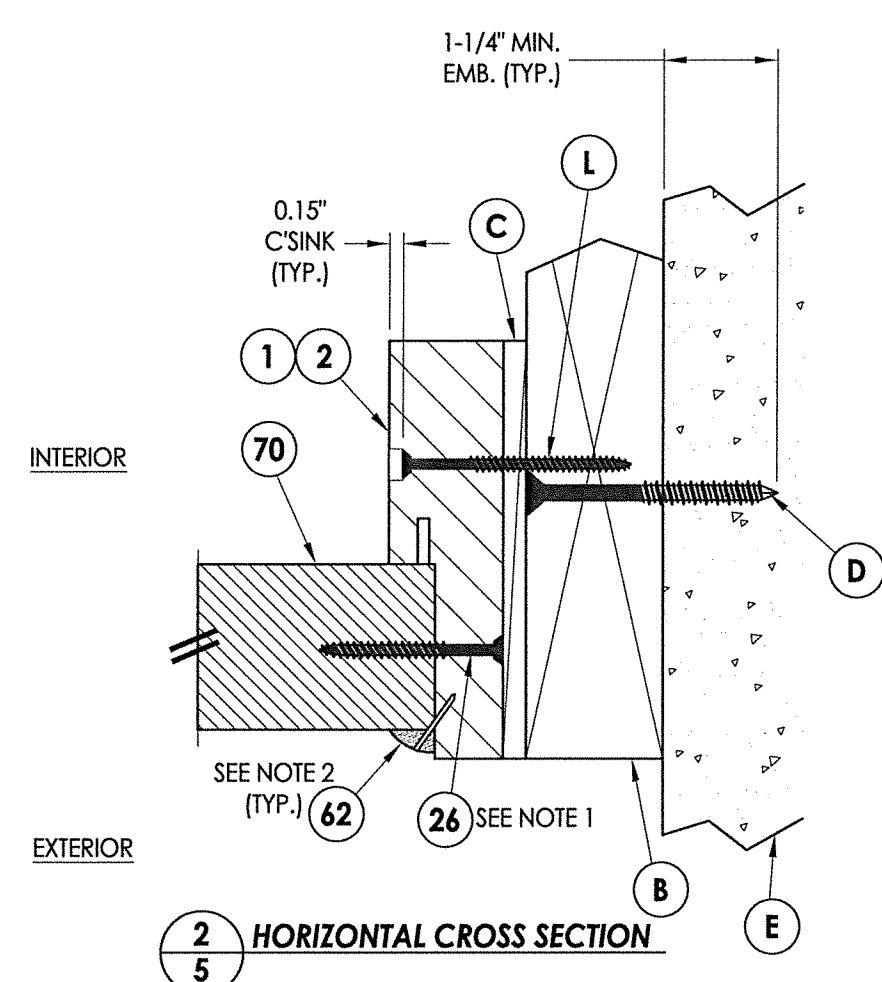
**4**  
**5** VERTICAL CROSS SECTION

**NOTE:**

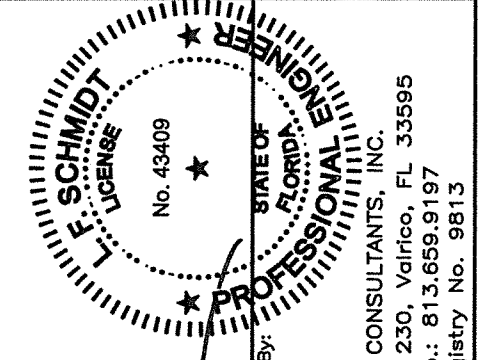
- Item #26 located 6" from each end and 3 more equally spaced (5 total).
- PVC Quarter round attached with 18 GA. brad nail 3" from each end then 8" on center thereafter.



**1**  
**5** HORIZONTAL CROSS SECTION  
Outswing shown - Inswing also approved

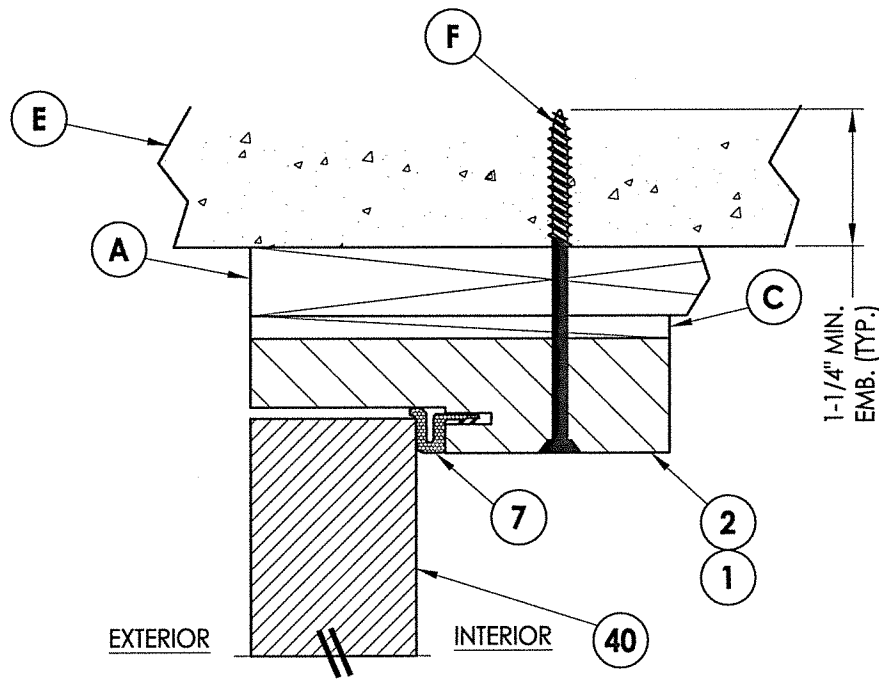


**2**  
**5** HORIZONTAL CROSS SECTION

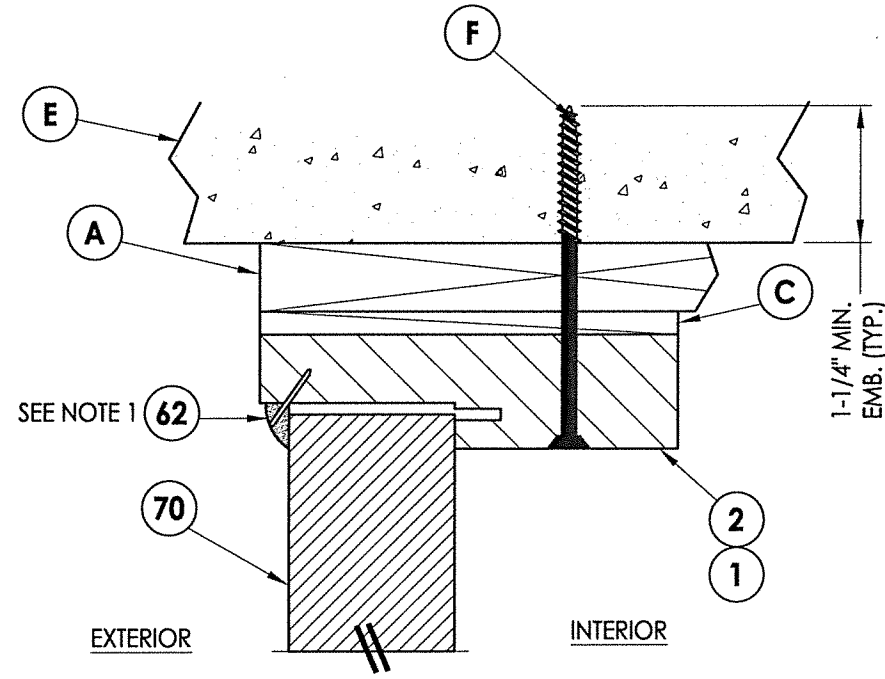


April 26, 2021  
 Documents Prepared By:  
 Lyndon F. Schmidt  
 P.E. No. 43409  
 R.W. BUILDING CONSULTANTS, INC.  
 P.O. Box 230, Vairico, FL 33595  
 Phone No.: 813.659.9197  
 FBPE Registry No. 9813

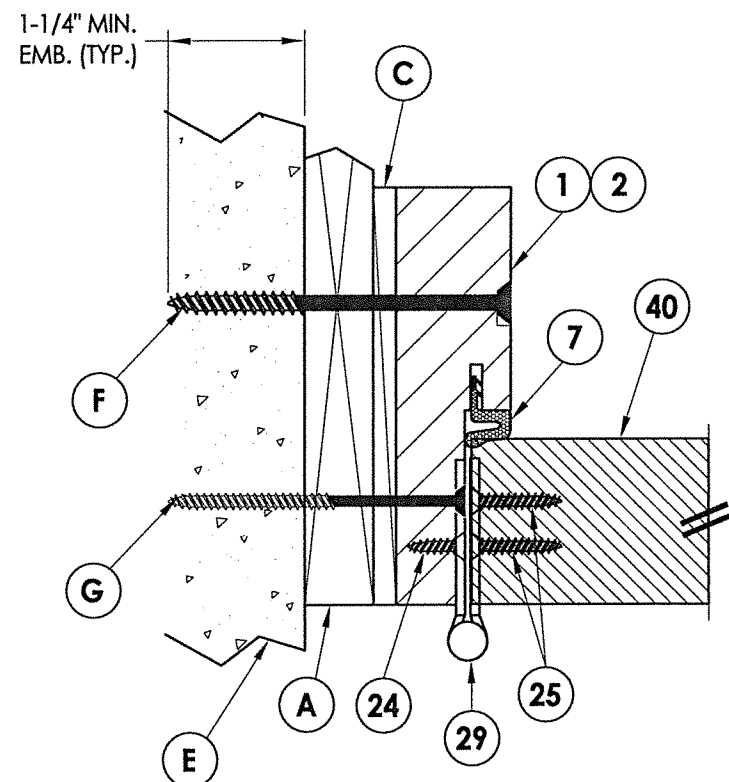
PRODUCT:	TRINITY GLASS INT'L	
PART OR ASSEMBLY:	HORIZONTAL AND VERTICAL CROSS SECTIONS (2X BUCK)	
DATE:	2/05/20	
SCALE:	N.T.S.	
DWG. BY:	RW	
CHK. BY:	LFS	
DRAWING NO.:	FL-25575.8	
SHEET	5 OF 13	
NO.	DATE	REVISIONS
1	8/11/20	UPDATE TO 7th ED. (2020) FBC
DAC		BY



**3**  
**6** VERTICAL CROSS SECTION

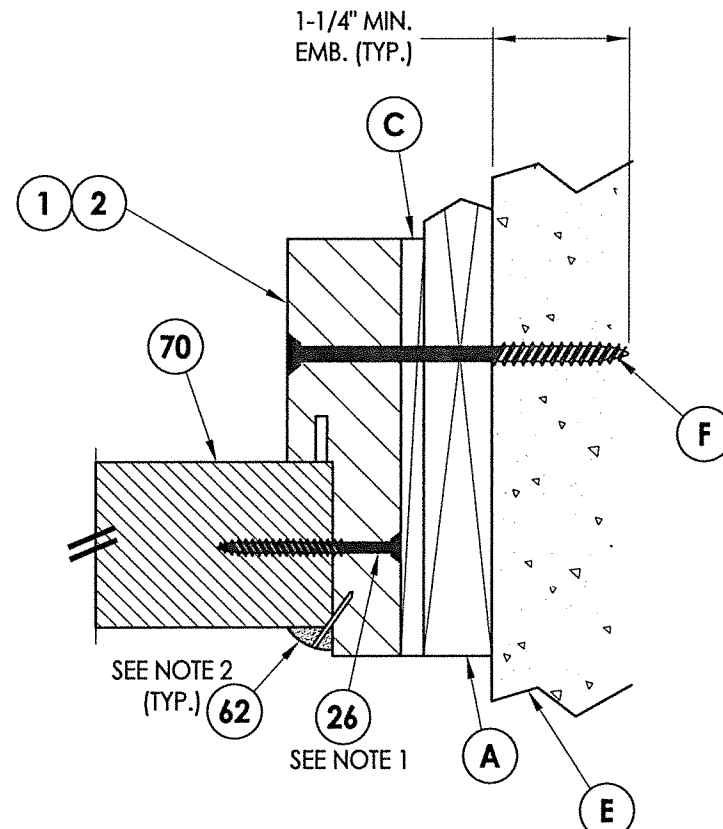


**4**  
**6** VERTICAL CROSS SECTION



**1**  
**6** HORIZONTAL CROSS SECTION  
Outswing shown - Inswing also approved

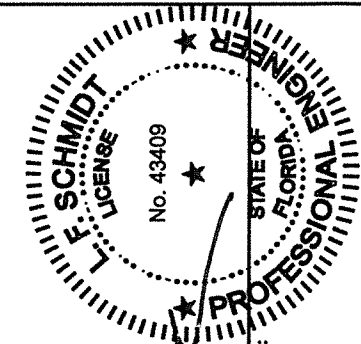
INTERIOR  
EXTERIOR



**2**  
**6** HORIZONTAL CROSS SECTION

**NOTE:**

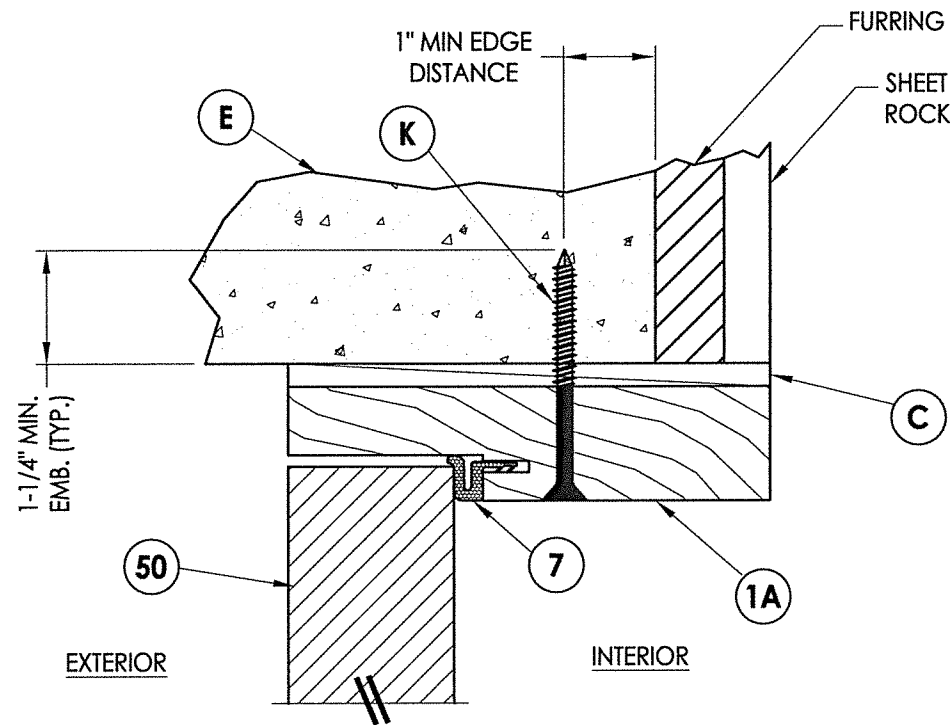
- Item #26 located 6" from each end and 3 more equally spaced (5 total).
- PVC Quarter round attached with 18 GA. brad nail 3" from each end then 8" on center thereafter.



April 26, 2021  
Documents Prepared By:  
Lyndon F. Schmidt  
P.E. No. 43409

**R.W.** BUILDING CONSULTANTS, INC.  
P.O. Box 230, Vairco, FL 33595  
Phone No.: 813.659.9197  
FBPE Registry No. 9813

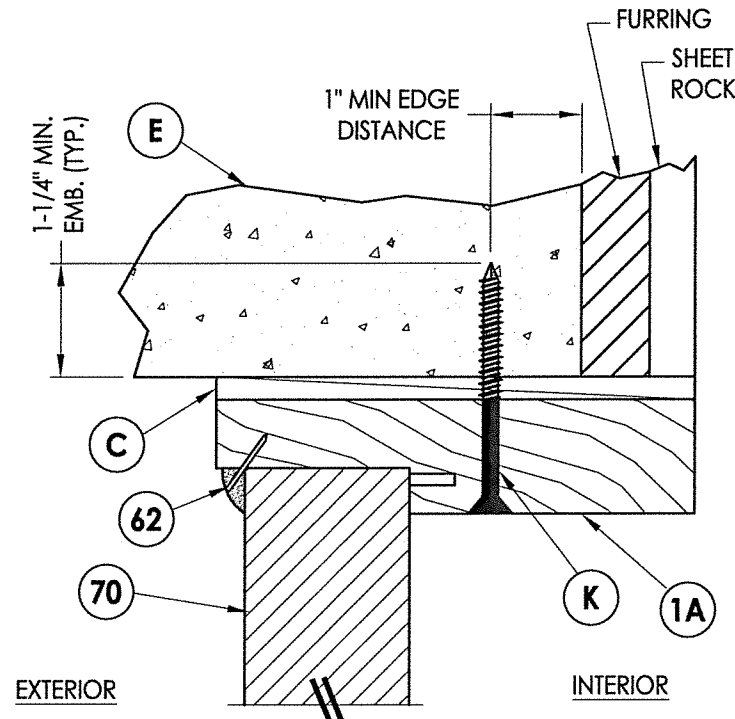
PRODUCT:	TRINITY GLASS INT'L	
PART OR ASSEMBLY:	HORIZONTAL AND VERTICAL CROSS SECTIONS (1X BUCK)	
NO.	DATE	BY
1	8/11/20	DAC
	UPDATE TO 7th ED. (2020)	FBC
REVISIONS		
DATE: 2/05/20		
SCALE: N.T.S.		
DWG. BY: RW		
CHK. BY: LFS		
DRAWING NO.: FL-25575.8		
SHEET 6 OF 13		



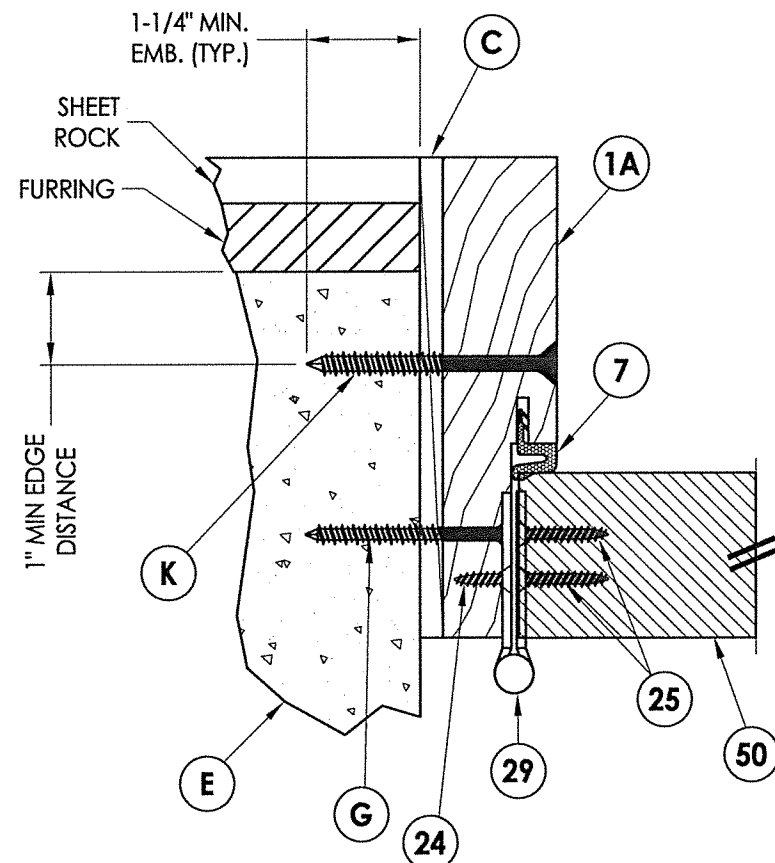
**3** VERTICAL CROSS SECTION  
7 Outswing only

**NOTE:**

- Item #26 located 6" from each end and 3 more equally spaced (5 total).
- PVC Quarter round attached with 18 GA. brad nail 3" from each end then 8" on center thereafter.



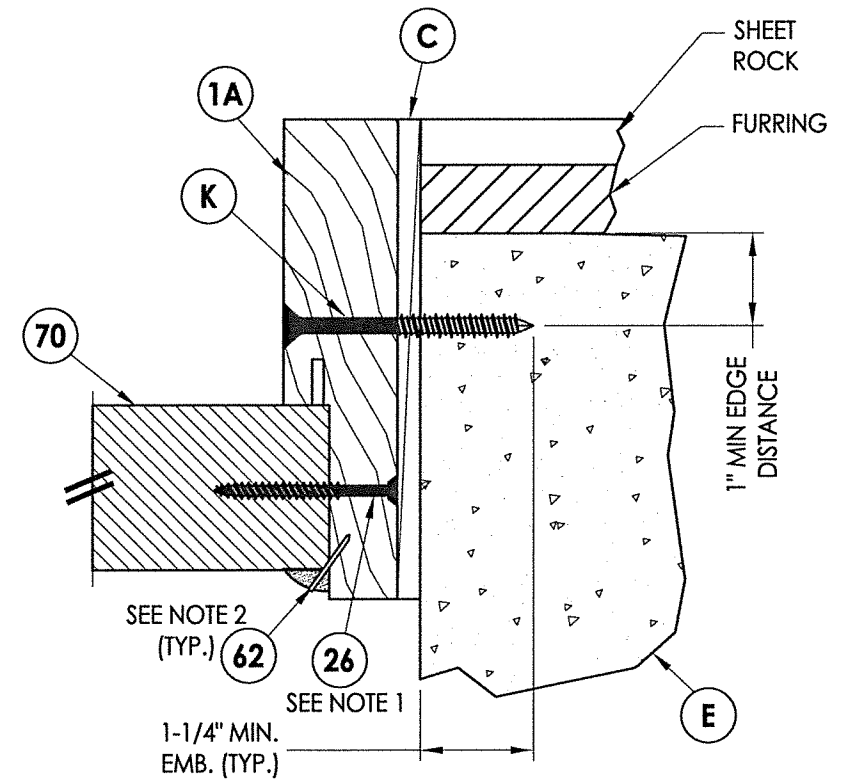
**4** VERTICAL CROSS SECTION  
7 Outswing only



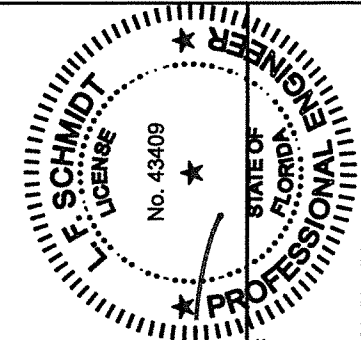
**1** HORIZONTAL CROSS SECTION  
7 Outswing only

INTERIOR

EXTERIOR



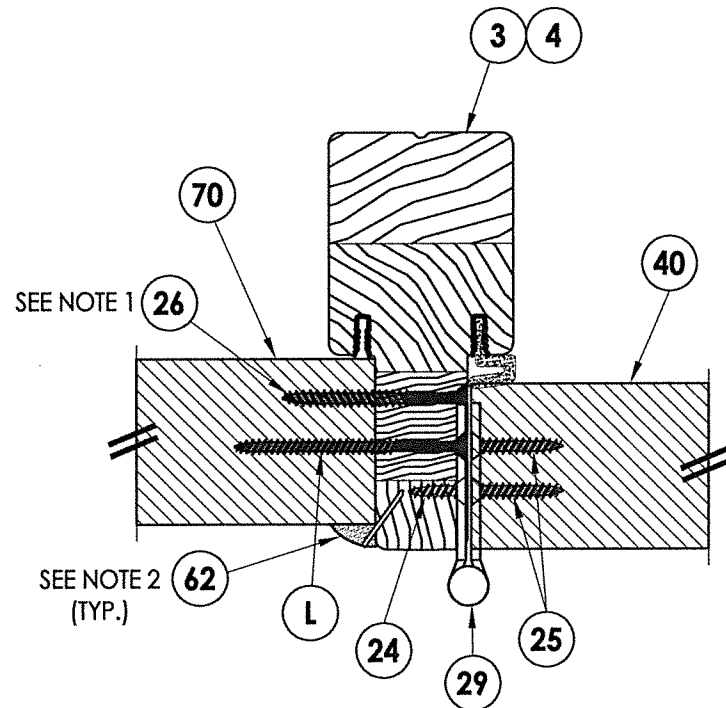
**2** HORIZONTAL CROSS SECTION  
7 Outswing only



*LFS*  
April 26, 2021  
Documents Prepared By:  
Lyndon F. Schmidt  
P.E. No. 43409

STATE OF FLORIDA  
PROFESSIONAL ENGINEER  
BUILDING CONSULTANTS, INC.  
P.O. Box 230, Valrico, FL 33595  
Phone No.: 813.659.9197  
FBPE Registry No. 9813

PRODUCT:	TRINITY GLASS INT'L	
PART OR ASSEMBLY:	HORIZONTAL AND VERTICAL CROSS SECTIONS (DIRECT TO MASONRY)	
DATE:	2/05/20	
SCALE:	N.T.S.	
DWG. BY:	RW	
CHK. BY:	LFS	
DRAWING NO.:	FL-25575.8	
SHEET	7 OF 13	
NO.	DATE	REVISIONS
1	8/11/20	UPDATE TO 7th ED. (2020) FBC
		DAC BY



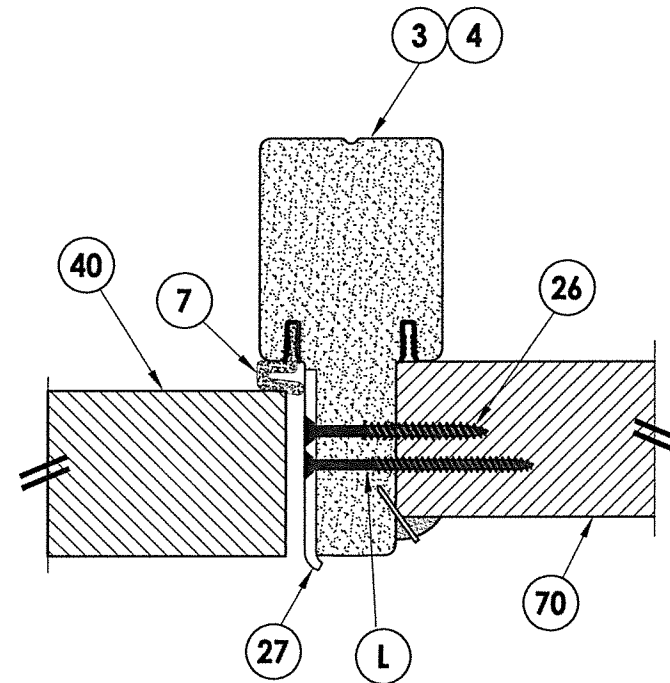
**1** HORIZONTAL CROSS SECTION  
**8** Outswing shown - Inswing also approved

**NOTE:**

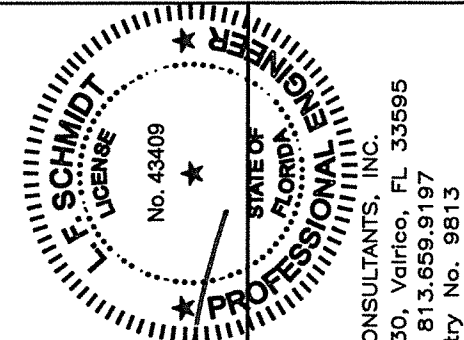
- Item #26 located 6" from each end and 3 more equally spaced (5 total).
- PVC Quarter round attached with 18 GA. brad nail 3" from each end then 8" on center thereafter.

INTERIOR

EXTERIOR



**2** HORIZONTAL CROSS SECTION  
**8** Outswing shown - Inswing also approved



*LFS*

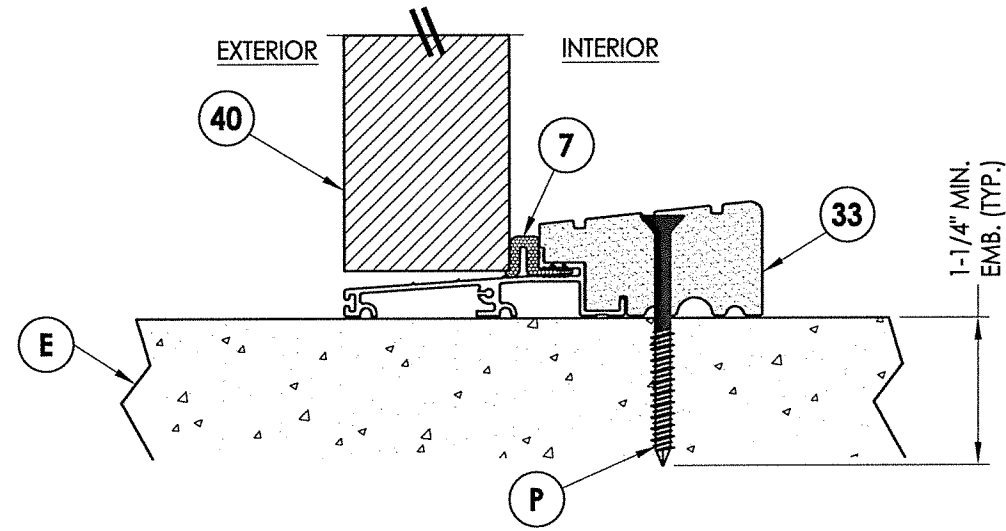
April 26, 2021

Documents Prepared By:  
 Lyndon F. Schmidt  
 P.E. No. 43409

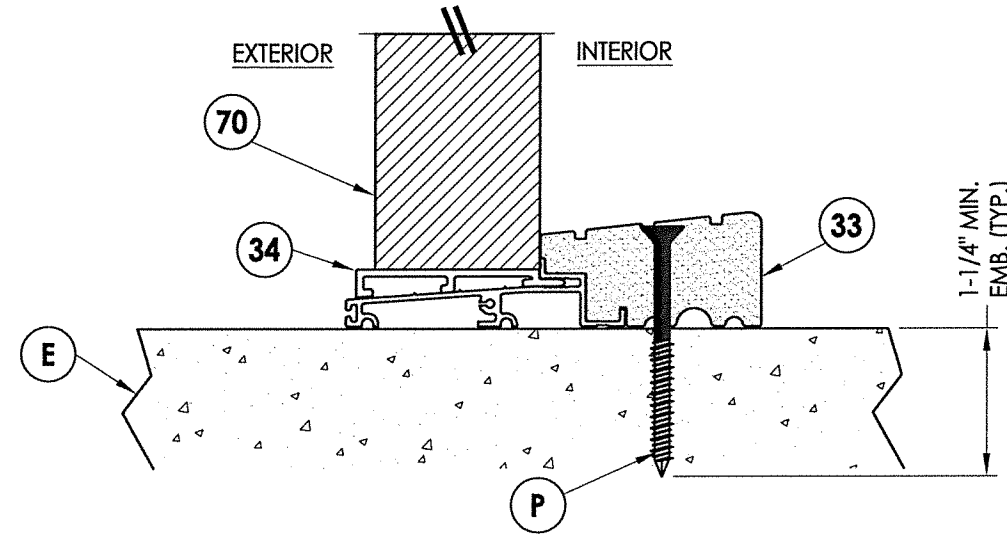
*RW*  
 BUILDING CONSULTANTS, INC.  
 P.O. Box 230, Valrico, FL 33595  
 Phone No.: 813.659.9197  
 FBPE Registry No. 9813

PRODUCT:	TRINITY GLASS INT'L	
PART OR ASSEMBLY:	HORIZONTAL CROSS SECTIONS	
NO.	DATE	BY
1	8/11/20	FBC
		DAC
REVISIONS		
DATE:	2/05/20	
SCALE:	N.T.S.	
DWG. BY:	RW	
CHK. BY:	LFS	
DRAWING NO.:	FL-25575.8	
SHEET	8	OF 13

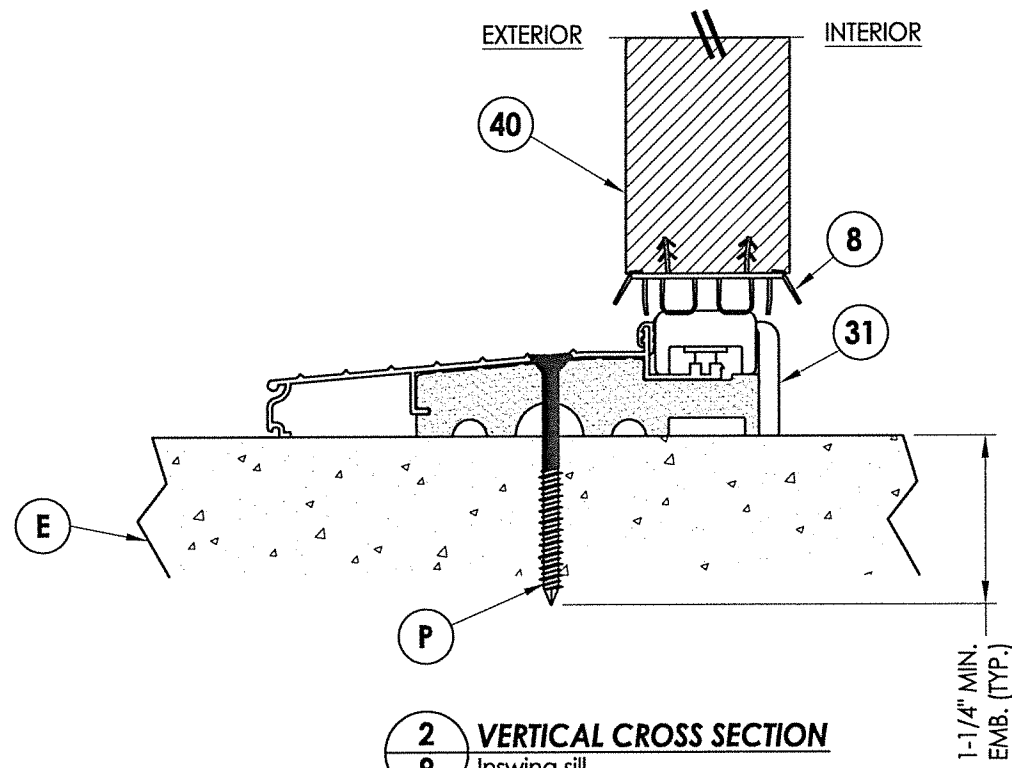




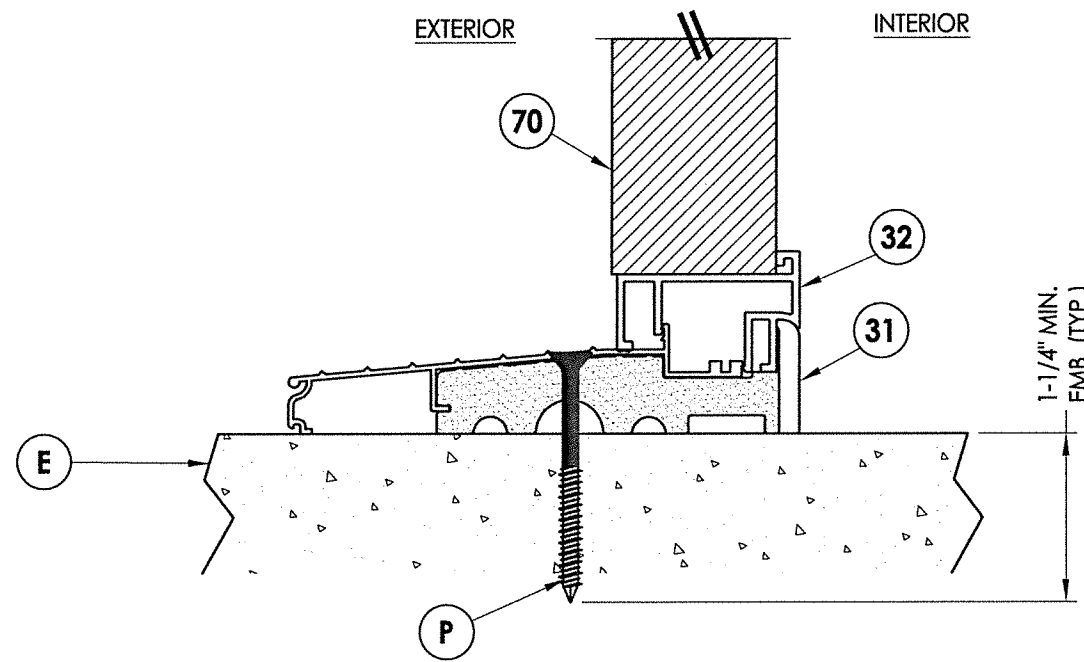
**1 VERTICAL CROSS SECTION**  
9 Outswing sill - high dam



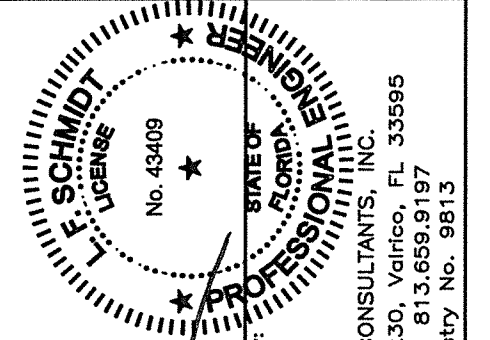
**3 VERTICAL CROSS SECTION**  
9 Outswing sill - high dam



**2 VERTICAL CROSS SECTION**  
9 Inswing sill

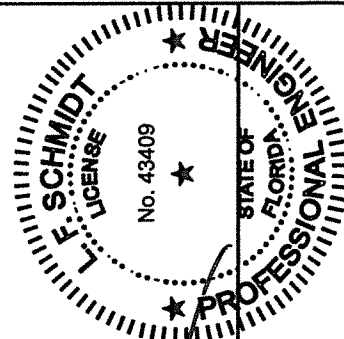
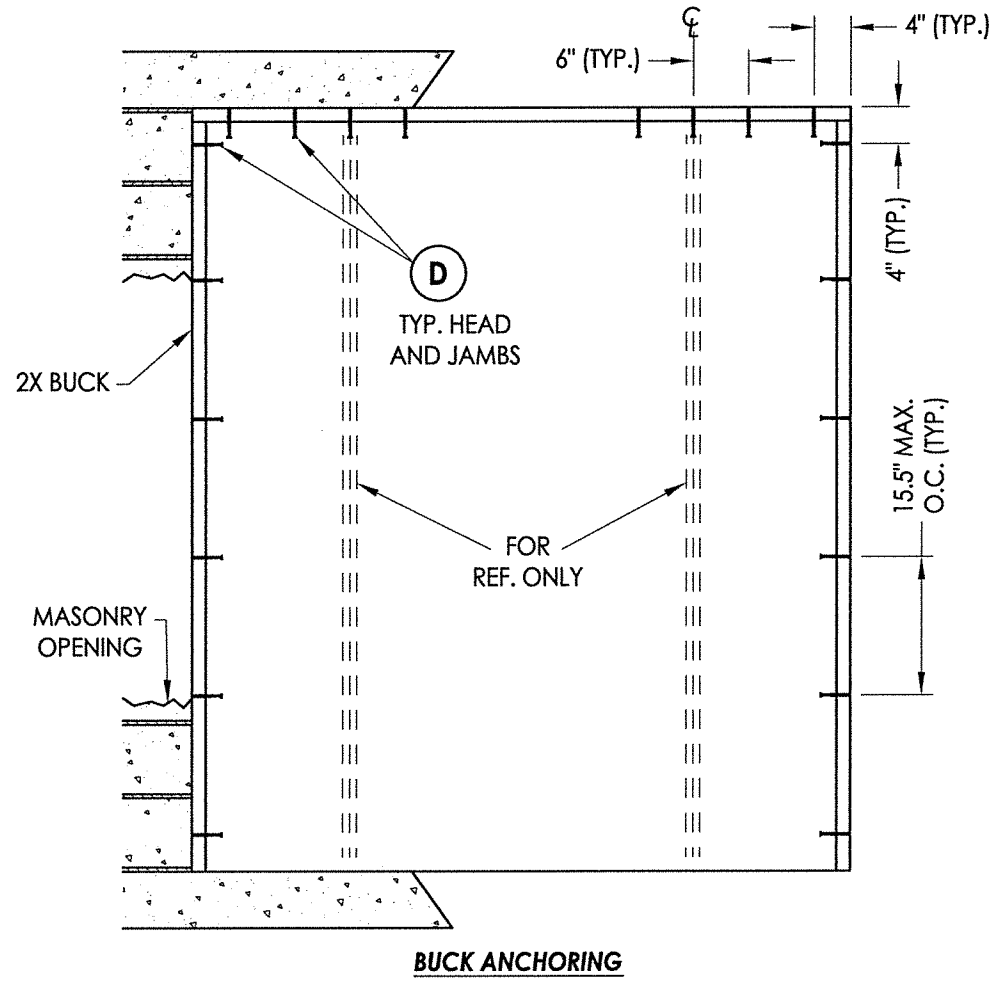
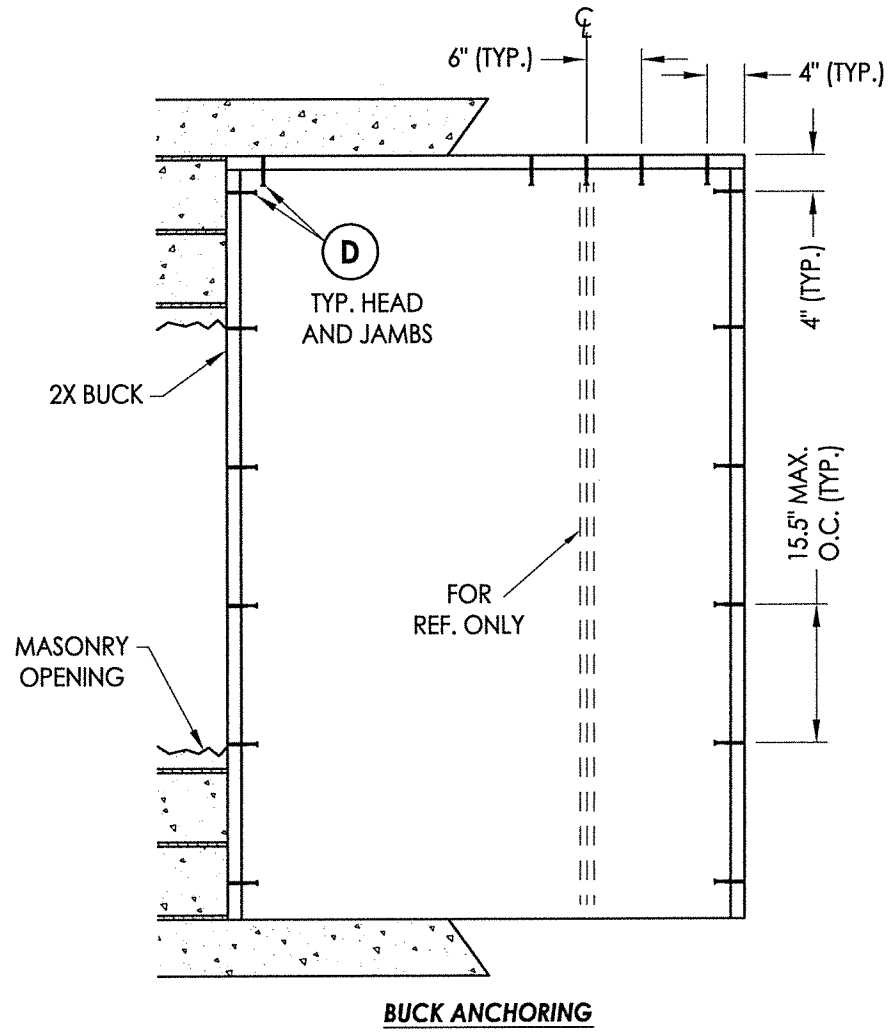


**4 VERTICAL CROSS SECTION**  
9 Inswing sill



April 26, 2021  
 Documents Prepared By:  
 Lyndon F. Schmidt  
 P.E. No. 43409  
 R.W. BUILDING CONSULTANTS, INC.  
 P.O. Box 230, Valrico, FL 33595  
 Phone No.: 813.659.9197  
 FBPE Registry No. 9813

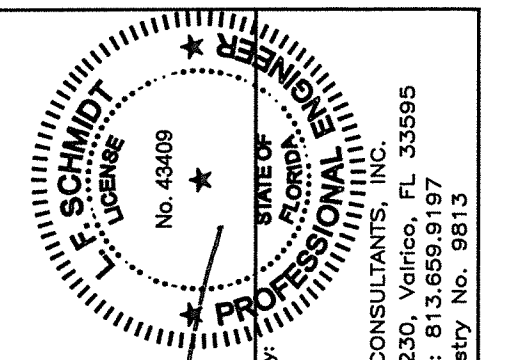
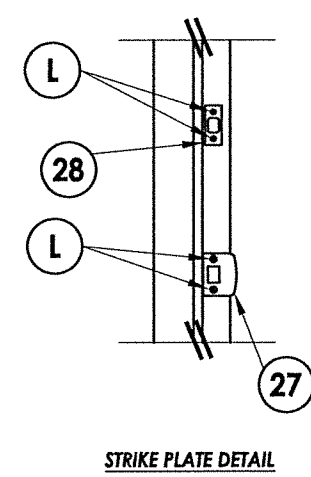
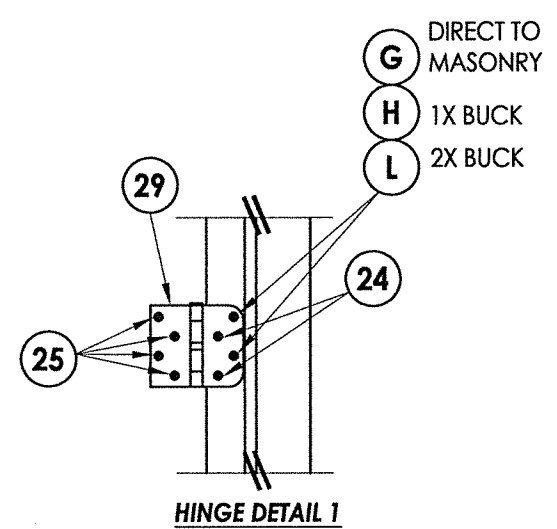
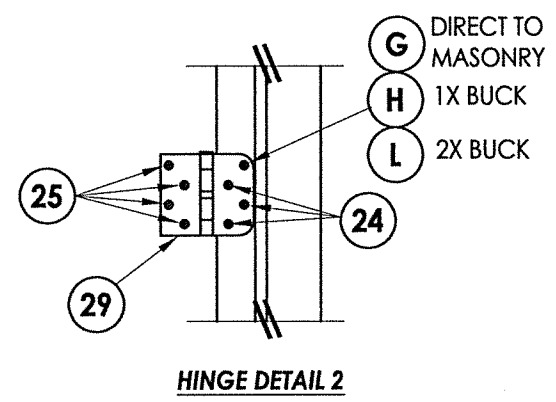
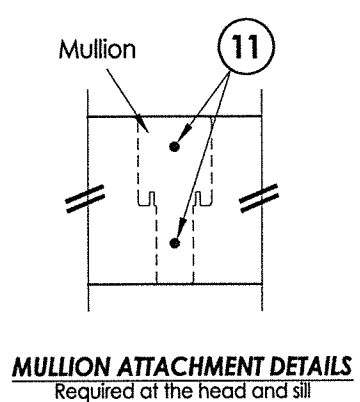
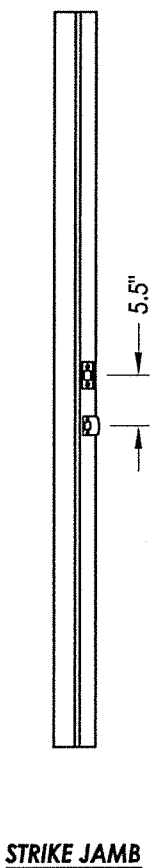
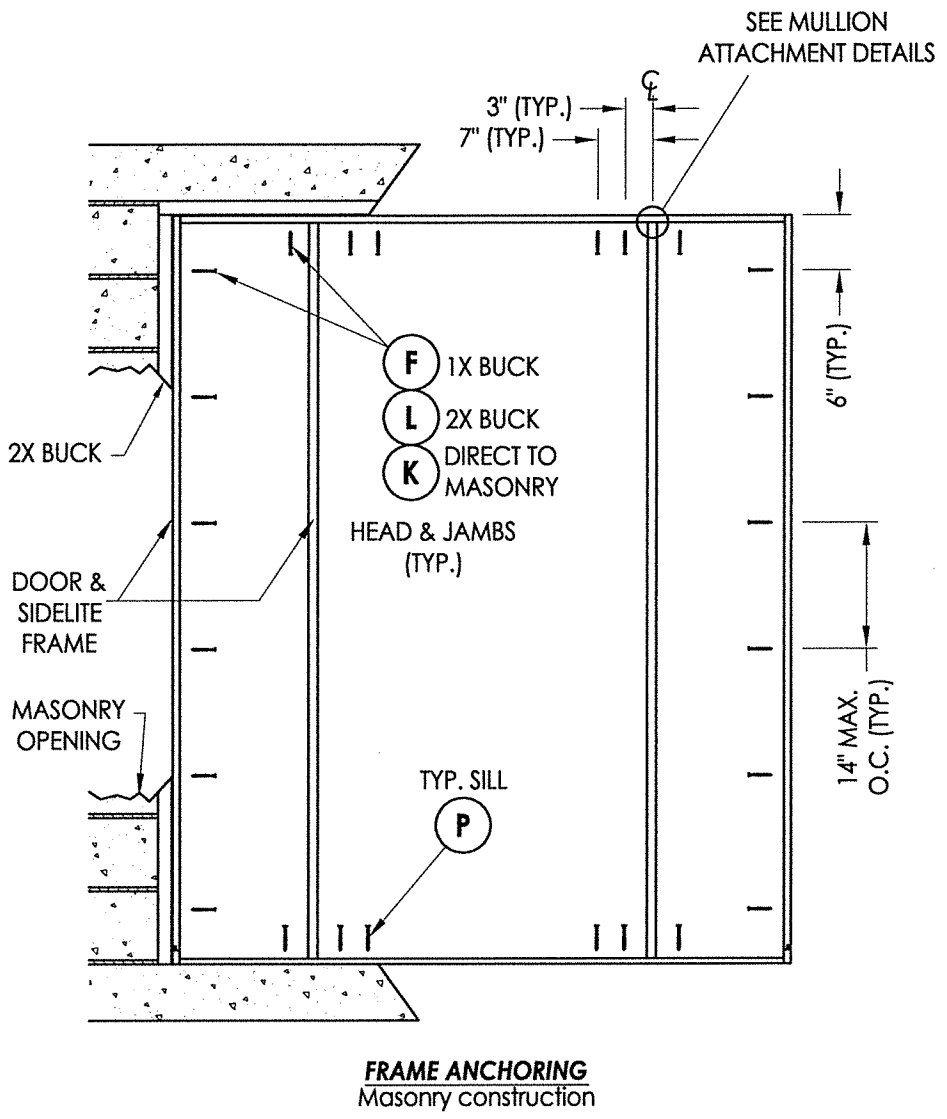
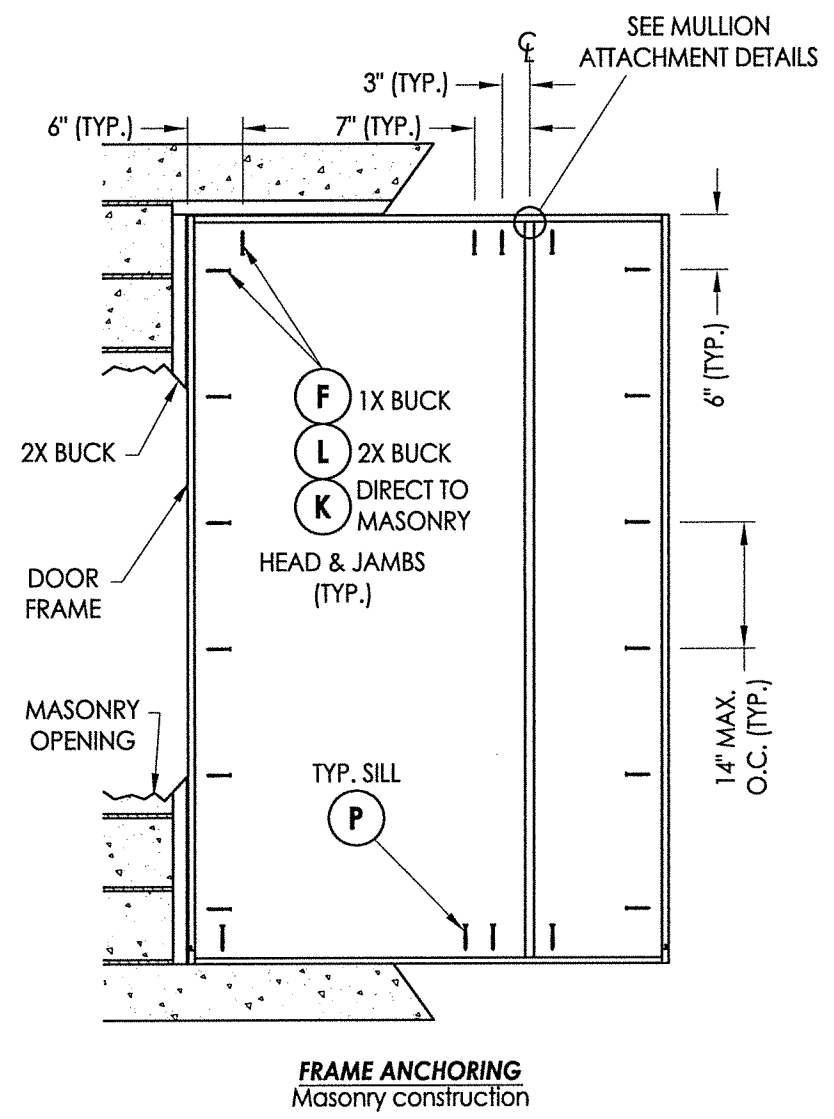
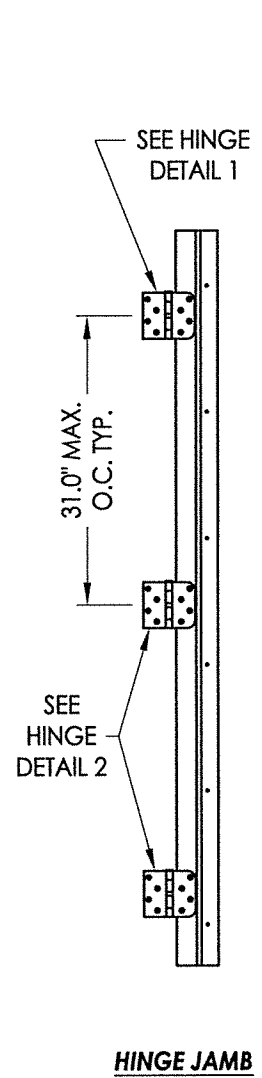
PRODUCT:	TRINITY GLASS INT'L	
PART OR ASSEMBLY:	VERTICAL CROSS SECTIONS	
NO.	DATE	REVISIONS
1	8/11/20	UPDATE TO 7th ED. (2020) FBC
		DAC
		BY
DATE:	2/05/20	
SCALE:	N.T.S.	
DWG. BY:	RW	
CHK. BY:	LFS	
DRAWING NO.:	FL-25575.8	
SHEET	9 OF 13	



*LFS*  
 April 26, 2021  
 Documents Prepared By:  
 Lyndon F. Schmidt  
 P.E. No. 43409

*RW*  
 BUILDING CONSULTANTS, INC.  
 P.O. Box 230, Valrico, FL 33595  
 Phone No.: 813.659.9197  
 FBPE Registry No. 9813

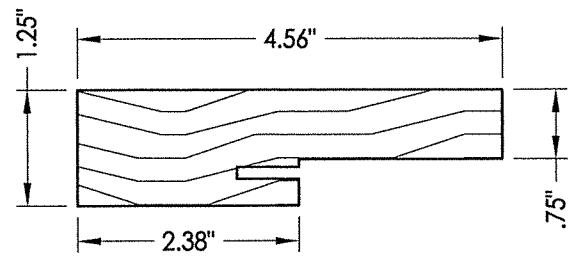
PRODUCT:	TRINITY GLASS INT'L	
PART OR ASSEMBLY:	BUCK ANCHORING	
NO.	DATE	BY
1	8/11/20	DAC
	UPDATE TO 7th ED. (2020)	FBC
REVISIONS		
DATE:	2/05/20	
SCALE:	N.T.S.	
DWG. BY:	RW	
CHK. BY:	LFS	
DRAWING NO.:	FL-25575.8	
SHEET	10	OF 13



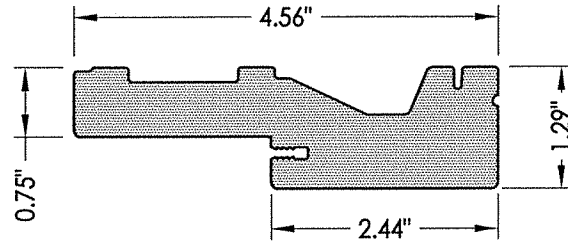
Documents Prepared By:  
 Lyndon F. Schmidt  
 P.E. No. 43409  
 April 26, 2021  
 R.W.  
 BUILDING CONSULTANTS, INC.  
 P.O. Box 230, Valrico, FL 33595  
 Phone No.: 813.659.9197  
 FBPE Registry No. 9813

PRODUCT:	TRINITY GLASS INT'L	
PART OR ASSEMBLY:	FRAME ANCHORING	
NO.	DATE	BY
1	8/11/20	FBC
	UPDATE TO 7th ED. (2020)	DAC
REVISIONS		
DATE:	2/05/20	
SCALE:	N.T.S.	
DWG. BY:	RW	
CHK. BY:	LFS	
DRAWING NO.:	FL-25575.8	
SHEET	11 OF 13	

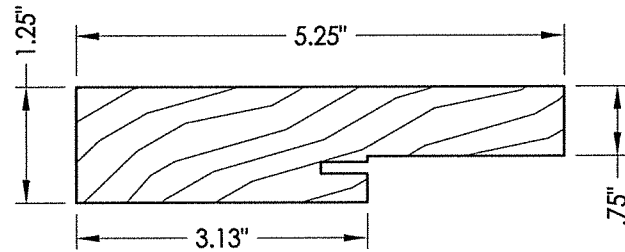
Z:\Clients\Trinity Glass PERMANENT\A - Florida Product Approvals\FL - 25575\C. Drawings\FL 25575 (2020)\FL-25575.7-8.dwg



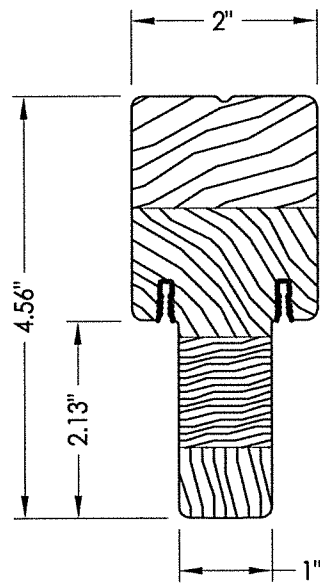
**1 HEAD AND JAMBS**  
Wood



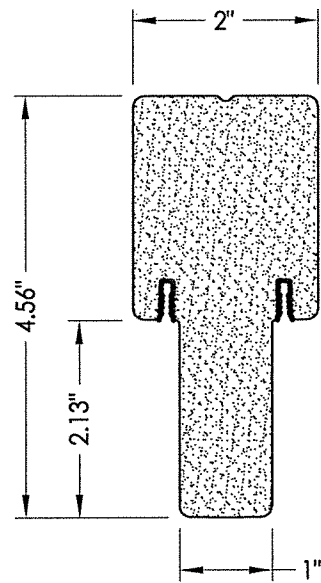
**2 HEAD AND JAMBS**  
PVC



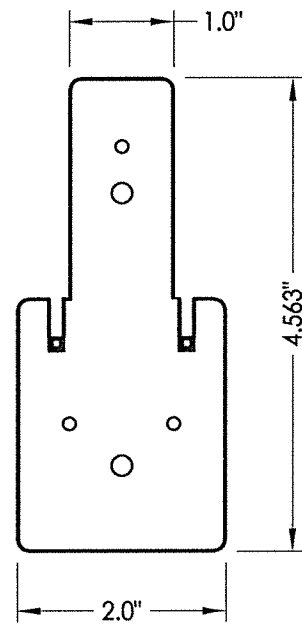
**1A HEAD AND JAMBS**  
Wood



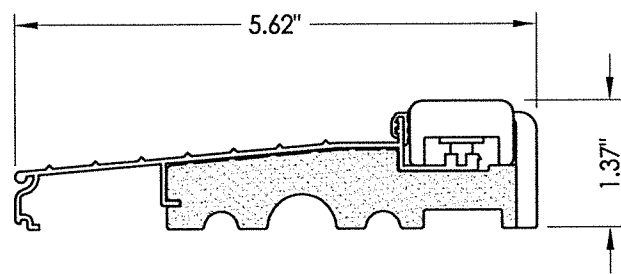
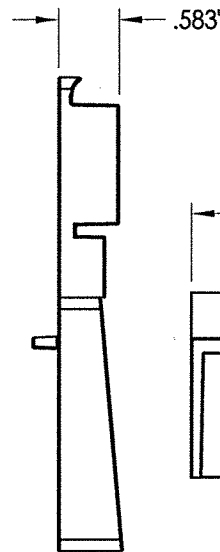
**3 INTEGRAL MULLION**  
ENGINEERED WOOD



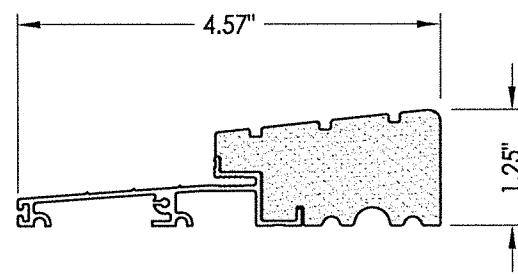
**4 INTEGRAL MULLION**  
PVC



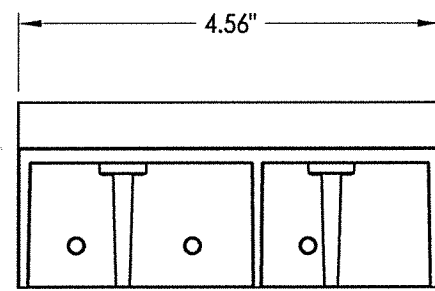
**5 MULLION BASE KIT**  
Optional



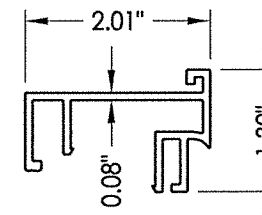
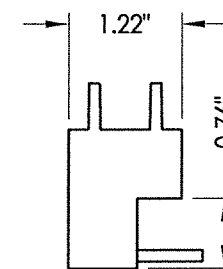
**31 INSWING THRESHOLD**



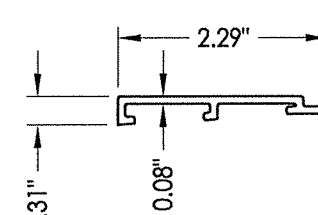
**32 OUTSWING THRESHOLD**  
High-dam



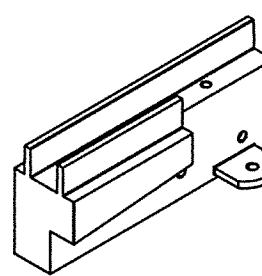
**19 SILLKEY DETAILS**  
Optional



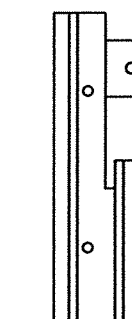
**32 SIDELITE SPACER**  
Inswing



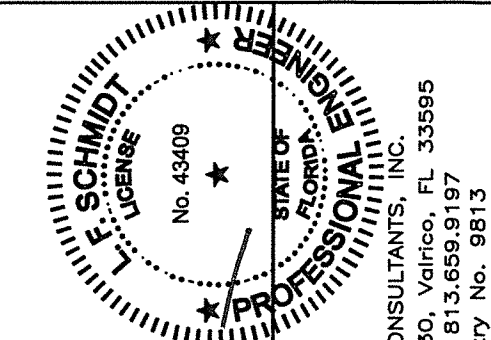
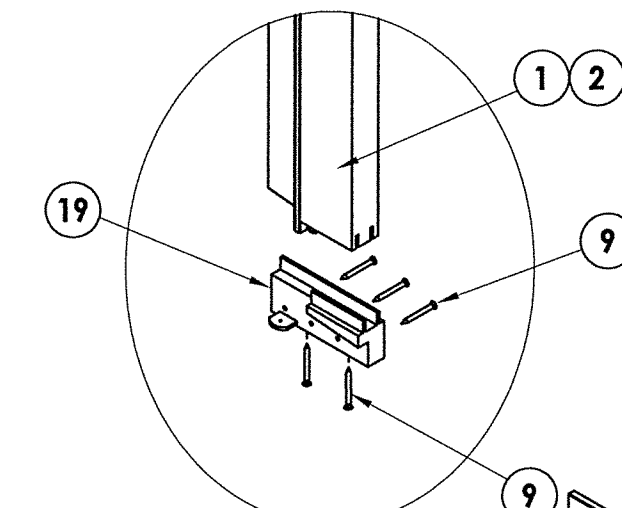
**34 SIDELITE SPACER**  
Outswing



SILLKEY, LEFT  
SCALE: NONE



SILLKEY, RIGHT  
SCALE: NONE

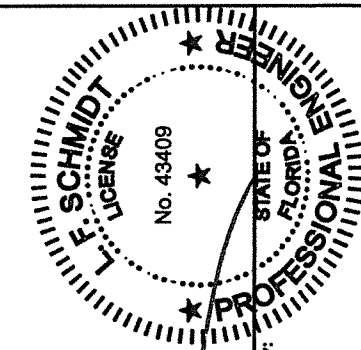


April 26, 2021  
 Documents Prepared By:  
 Lyndon F. Schmidt  
 P.E. No. 43409  
 R.W.  
 BUILDING CONSULTANTS, INC.  
 P.O. Box 230, Valrico, FL 33595  
 Phone No.: 813.659.9197  
 FBPE Registry No. 9813

PRODUCT:	TRINITY GLASS INT'L
PART OR ASSEMBLY:	COMPONENTS
DATE:	2/05/20
SCALE:	N.T.S.
DWG. BY:	RW
CHK. BY:	LFS
DRAWING NO.:	FL-25575.8
SHEET	12 OF 13

© 2020 R.W. BUILDING CONSULTANTS INC.

BILL OF MATERIALS		
ITEM #	DESCRIPTION	MATERIAL
A	1X BUCK SG >= 0.55	WOOD
B	2X BUCK SG >= 0.55	WOOD
C	1/4" MAX. SHIM SPACE	-
D	1/4" X 2-3/4" PFH DeWALT OR ITW CONCRETE SCREW	STEEL
E	MASONRY - 3,000 PSI MIN. CONCRETE CONFORMING TO ACI 301 OR HOLLOW BLOCK CONFORMING TO ASTM C90	CONCRETE
F	1/4" X 3-3/4" PFH ITW CONCRETE SCREW	STEEL
G	3/16" X 3-1/4" PFH ITW CONCRETE SCREW	STEEL
H	3/16" X 3-1/4" PFH ITW CONCRETE SCREW	STEEL
K	1/4" X 2-3/4" PFH DeWALT CONCRETE SCREW	STEEL
L	#10 X 2-1/2" PFH WS	STEEL
P	1/4" X 2-3/4" PFH DeWALT OR ITW CONCRETE SCREW	STEEL
1	JAMB (FINGER-JOINT PINE - SG >= 0.42)	WOOD
1A	HEAD & JAMB (5.25") (FINGER-JOINT PINE - SG >= 0.42)	WOOD
2	JAMB	PVC
3	INTEGRAL MULLION - FINGER JOINT PINE (SG >= 0.42)	WOOD
4	INTEGRAL MULLION	PVC
5	MULLION BASE KIT	PVC
7	WEATHERSTRIP QEBD650 Q-LON	FOAM
8	DOOR BOTTOM SWEEP	PVC
9	#6 X 1-1/4" PFH DRYWALL SCREW	STEEL
11	#9 X 2-1/4" PFH SMS	STEEL
19	SILLKEY	ABS
24	#9 X 5/8" PFH WS	STEEL
25	#9 X 1" PFH WS	STEEL
26	#9 X 2" PFH WS	STEEL
27	STRIKE PLATE	STEEL
28	DEADBOLT STRIKE PLATE	STEEL
29	3.983" X 4.0" HINGE MIN 0.098" THICK	STEEL
31	INSWING THRESHOLD ALUMINUM W/ COMPOSITE SUBSTRATE	ALUM./ COMP.
32	SIDELITE SPACER - INSWING	PVC
33	OUTSWING HIGH-DAM THRESHOLD ALUMINUM W/ COMPOSITE SUBSTRATE	ALUM./ COMP.
34	SIDELITE SPACER - OUTSWING	PVC
50	DOOR PANEL - (Modern)	-
62	QUARTER ROUND	WOOD
70	SIDELITE	-



April 26, 2021  
 Documents Prepared By:  
 Lyndon F. Schmidt  
 P.E. No. 43409

R.W.  
 BUILDING CONSULTANTS, INC.  
 P.O. Box 230, Valrico, FL 33595  
 Phone No.: 813.659.9197  
 FBPE Registry No. 9813

PRODUCT:	TRINITY GLASS INT'L
PART OR ASSEMBLY:	BILL OF MATERIALS
DATE:	2/05/20
SCALE:	N.T.S.
DWG. BY:	RW
CHK. BY:	LFS
DRAWING NO.:	FL-25575.8
SHEET	13 of 13

**CONCRETE ANCHOR NOTES:**

- Concrete anchor locations at the corners may be adjusted to maintain the min. edge distance to mortar joints.
- Concrete anchor locations noted as "MAX. ON CENTER" must be adjusted to maintain the min. edge distance to mortar joints, additional concrete anchors may be required to ensure the "MAX. ON CENTER" dimension are not exceeded.
- Concrete anchor table:

ANCHOR TYPE	ANCHOR SIZE	MIN. EMBEDMENT	MIN. CLEARANCE TO MASONRY EDGE	MIN. CLEARANCE TO ADJACENT ANCHOR
ITW BUILDEX TAPCON®	3/16" 1/4"	1-1/4"	AS SHOWN 2"	1-1/2" 4"
DeWALT ULTRACON®	1/4"	1-1/4"	1"	4"

**WOOD SCREW INSTALLATION NOTES:**

- Maintain a minimum 5/8" edge distance, 1" end distance, & 1" o.c. spacing of wood screws to prevent the splitting of wood.